



司騰達股份有限公司  
BHP Industry Solution



EtherNet/IP

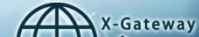
CC-Link



CANopen



Now with ...  
CPC UA



DeviceNet



# 司騰達股份有限公司

HMS 台灣總代理 – Remote Access 跨國遠端連線與自動化工業的最佳選擇

司騰達公司致力於推廣數位化工廠和 IIoT 工業物聯網的解決方案，並與歐洲最先進的公司 – HMS 集團合作，同時透過引進更多歐美的技術能量，提供客戶關於工業 4.0 的顧問諮詢服務，並將教育與產業連結，協助台灣產業逐步完成從現場設備、生產資訊、通訊 IoT 的垂直整合，並整合 M2M 工業總線與軟體開發，從而實現數位化工廠與自動化機械領域的創新。

LINE



官網



司騰達聯絡訊息

臺北客服專線：(02)-2242-1625

台中客服專線：(04)-2451-0611

客服信箱：sales@bhp.com.tw

Line ID：@bhp.tw

www.bhp.com.tw

Ewon Accessories Datasheet

PRODUCT TYPE: FAC91201\_0000 - 4G BRACKET ANTENNA WITH 5M  
CABLE FOR 4G/3G/2G EWON DEVICES

Datasheet - FAC91201\_0000  
Publication date 14/02/2024



## Important User Information

### **Disclaimer**

The information in this document is for informational purposes only. Please inform HMS Networks of any inaccuracies or omissions found in this document. HMS Networks disclaims any responsibility or liability for any errors that may appear in this document.

HMS Networks reserves the right to modify its products in line with its policy of continuous product development. The information in this document shall therefore not be construed as a commitment on the part of HMS Networks and is subject to change without notice. HMS Networks makes no commitment to update or keep current the information in this document.

The data, examples and illustrations found in this document are included for illustrative purposes and are only intended to help improve understanding of the functionality and handling of the product. In view of the wide range of possible applications of the product, and because of the many variables and requirements associated with any particular implementation, HMS Networks cannot assume responsibility or liability for actual use based on the data, examples or illustrations included in this document nor for any damages incurred during installation of the product. Those responsible for the use of the product must acquire sufficient knowledge in order to ensure that the product is used correctly in their specific application and that the application meets all performance and safety requirements including any applicable laws, regulations, codes and standards. Further, HMS Networks will under no circumstances assume liability or responsibility for any problems that may arise as a result from the use of undocumented features or functional side effects found outside the documented scope of the product. The effects caused by any direct or indirect use of such aspects of the product are undefined and may include e.g. compatibility issues and stability issues.

Copyright © 2024 HMS Networks

# Table of Contents

<b>1. General Information .....</b>	<b>1</b>
<b>2. Technical Data and Drawings .....</b>	<b>2</b>

# 1. General Information

WiFi extension cable of 2 meters for connection extension between a WiFi antenna and the Ewon device.

Product Name	Manufacturer	Product Description	Order Code	Compatible Products
4G Bracket Antenna with 5m cable for 4G/3G/2G Ewon devices.	Panorama Antennas  <i>Product number:</i> B4BE-6-60-5SP	This antenna is an omni-directional broad band antenna for 4G/3G/2G Ewon devices. The design of the mounting bracket enables simple wall mounting using the supplied screws and wall plugs or mast mounting using a pipe clip or cable ties (not supplied). The omni-directional radiation pattern allows easy placement of the antenna in an elevated position.	FAC91201_0000	<ul style="list-style-type: none"> <li>• EC7133L - Cosy+ 4G EU</li> <li>• EC7133K - Cosy+ 4G NA</li> <li>• EC7133M - Cosy+ 4G APAC</li> <li>• EC7133N - Cosy+ 4G Japan</li> <li>• FLB3202_0 - Flexy Extension Card 3G+</li> <li>• FLB320A_00 - Flexy Extension Card 4G EU</li> <li>• FLB3208_00 - Flexy Extension Card 4G NA</li> <li>• FLB3209_00 - Flexy Extension Card 4G APAC</li> <li>• FLB3203_00 - Flexy Extension Card 4G Verizon</li> </ul>

## 2. Technical Data and Drawings

Table 1. Technical data

<b>Manufacturer Part Number</b>	B4BE(W)-6-60-05SP B4BE(W)6-60-2SP B4BE(W)-6-60-5SP
<b>Frequency Range</b>	617-960 / 1710-6000 MHz
<b>Operational Band</b>	2G / 3G / 4G / 5G
<b>Peak Realised Gain: Isotropic*</b>	617-960 MHz (2dBi) 1710-2700 MHz (3.5dBi) 3400-3800 MHz (5dBi) 4.9-6000 Mhz (7dBi)
<b>VSWR</b>	<2.5:1
<b>Nominal Radiated Efficiency*</b>	> 70%
<b>Polarisation</b>	Vertical
<b>Pattern</b>	Omni-directional
<b>Impedance</b>	50 Ω
<b>Max Input Power</b>	30 W
<b>Dimensions</b>	Height mounted = 164 mm (6.46") Diameter = 48 mm (1.89")
<b>Operating Temperature</b>	-40°C / +85°C ( -40°F / 185°F )
<b>Material</b>	ASA, aluminium, zinc plated steel
<b>Material Approvals</b>	Radome ASA Material - UL 746C F2, UL 94-HB
<b>Colour</b>	Black (B4BE-6-60) or White (B4BEW-6-60)
<b>Ingress Protection</b>	IP66
<b>Cable Type</b>	CS29 (Ultra-Low Loss)
<b>Cable Length</b>	5 meters (17')
<b>Cable Diameter</b>	5 mm (0.19")
<b>Cable Termination</b>	SMA Plug

\* Peak gain and efficiency simulated in CST microwave studio on a bracket excluding cable loss

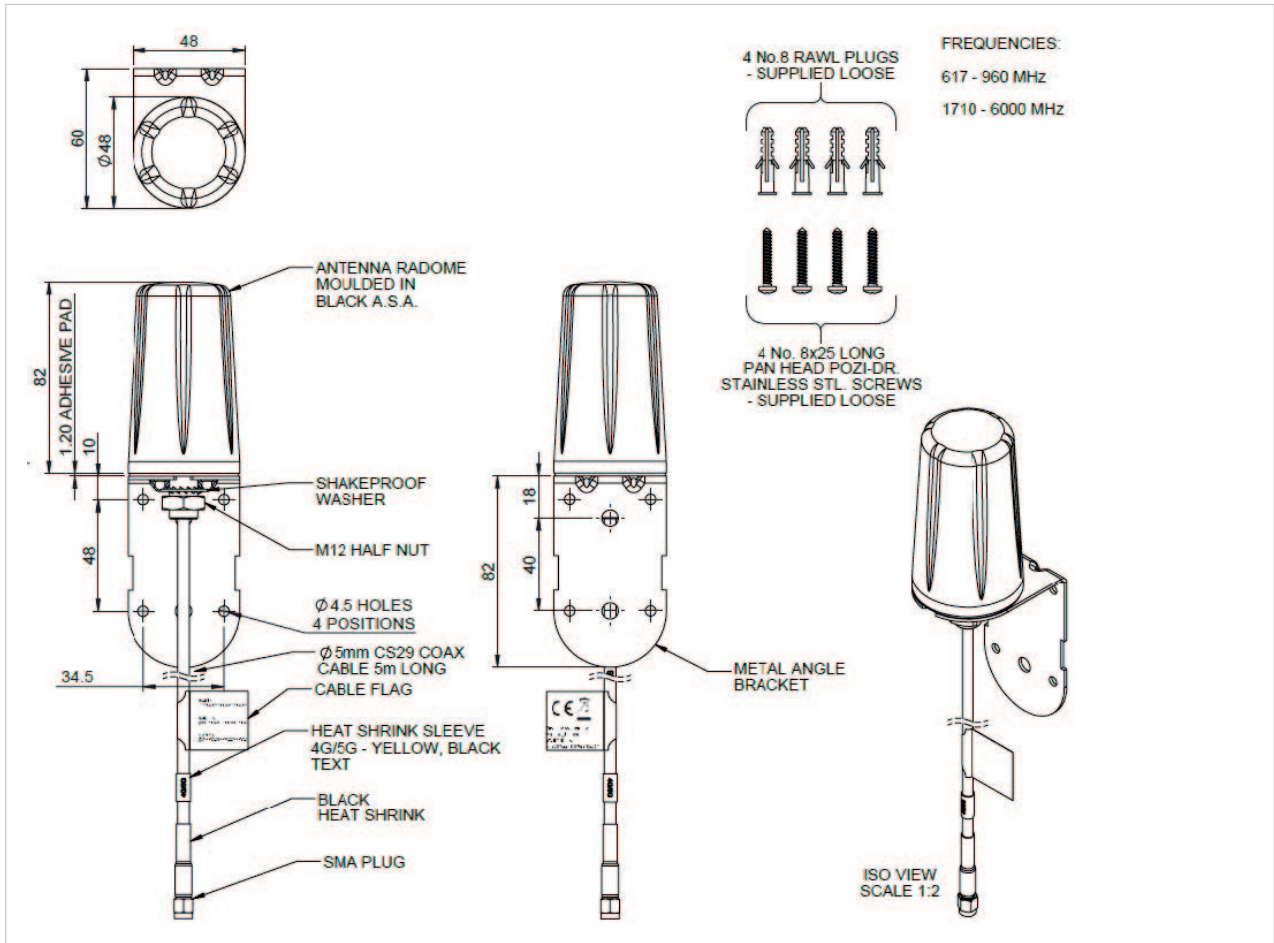


Figure 1. Drawing

All the above content is based on the Panorama Antennas documentation: [www.panorama-antennas.com](http://www.panorama-antennas.com)

# 司騰達股份有限公司

自動化工業與跨國遠端連線的最佳選擇

Ewon Flexy205

VPN+IOT 物聯網模組

Ewon Cosy131

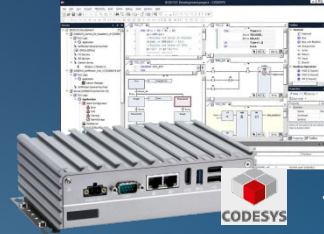
VPN 遠端連線



Anybus X-Gateway



CODESYS SoftPLC



Jmobile HMI/SCADA IPC



## 工業 4.0 數位工廠與 工業物聯網解決方案

i4-SCADA IPC



WAGO750 RemoteIO

EtherCAT  
PROFINET



SIEMENS ET 200SP  
PROFINET Remote Io



SDP 系列  
EtherCAT 伺服馬達



eSMART Web HMI  
Esmart04/07/10

## 司騰達股份有限公司

台北營業所：235602 新北市中和區中山路 2 段 299 號 5 樓之 1

Tel：(02)-2242-1625 Fax：(02)-2242-1605

台中營業所：40760 台中市西屯區廣福路 186 號

Tel：(04)-2451-0611 Fax：(04)-2451-0612

E-mail：sales@bhp.com.tw

Line ID：@bhp.tw



司騰達股份有限公司  
BHP Industry Solution

LINE



官網



了解更多產品詳細資訊請上官網查詢  
www.bhp.com.tw